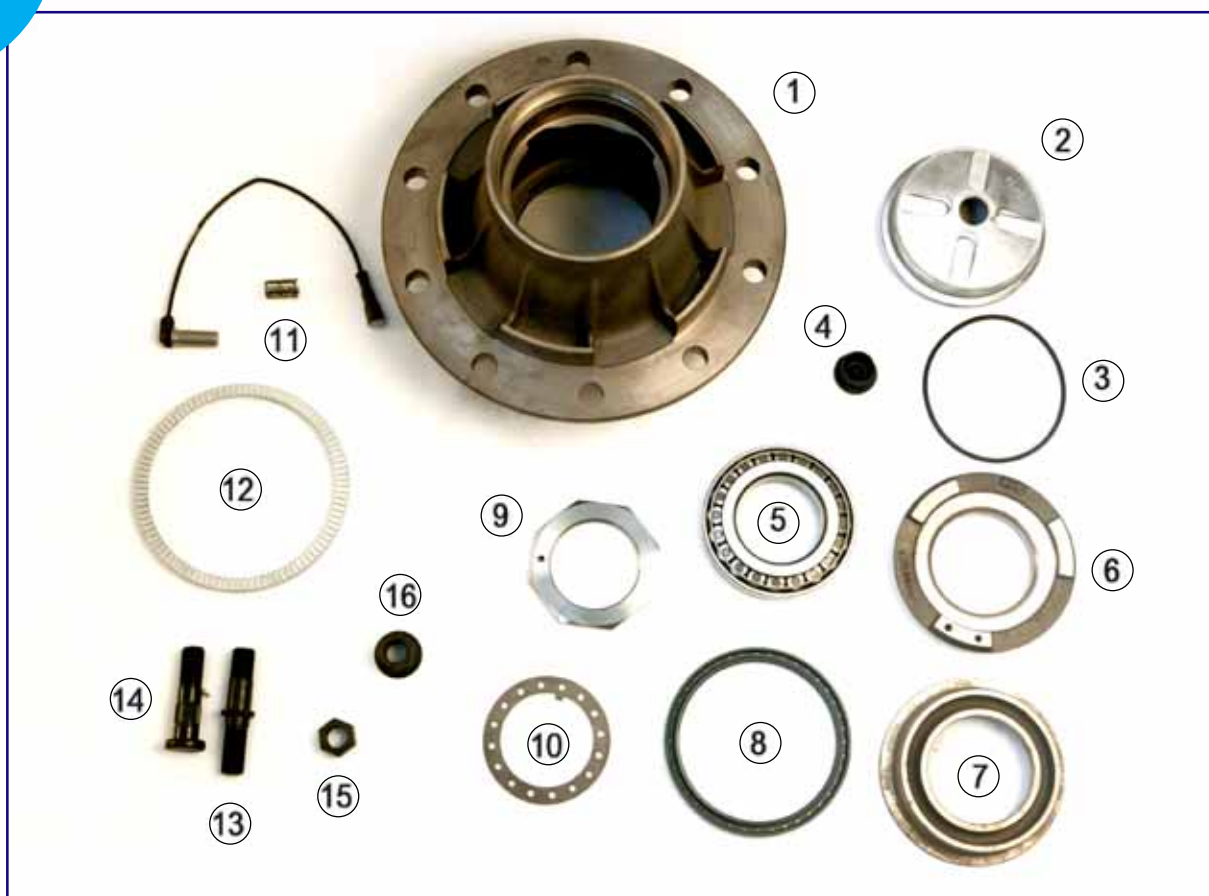


| Figura | Refº ADR98 | Aplicación | Descripción                      | Medidas                      |
|--------|------------|------------|----------------------------------|------------------------------|
| 1      | 2220007.1  | MONTENEGRO | BUJE RUEDA SENCILLA CON CANAL    |                              |
| 1A     | 2220007.2  | MONTENEGRO | BUJE RUEDA SENCILLA SIN CANAL    |                              |
| 2      | 2620057.1  | MONTENEGRO | TAPACUBOS ALUMINIO 4 GARRAS      | Ø 145 X 160 X 70 MM          |
| 3      | 2610029.0  | MONTENEGRO | JUNTA TORICA TAPACUBOS           | Ø 140 X 5 MM                 |
| 4      | 2610058.0  | MONTENEGRO | TAPON GOMA TAPACUBOS             | Ø 30 X 24 MM                 |
| 5      | 3214085.1  | MONTENEGRO | RODAMIENTO BUJE                  | Ø 85 X Ø 150 X 38,5 MM       |
| 6      | 2820047.1  | MONTENEGRO | PORTA-RETEN SENCILLO             | Ø 100 X Ø 152 X 24 MM        |
| 7      | 2820047.2  | MONTENEGRO | PORTA-RETEN DOBLE                | Ø 100 X Ø 152 X 41 MM        |
| 8      | 2820001.2  | MONTENEGRO | RETEN BUJE                       | Ø 152,4 X Ø 177,8 X 12,7 MM  |
| 9      | 3020001.0  | MONTENEGRO | TUERCA BUJE TIPO NK              | M82                          |
| 10     | 3020004.2  | MONTENEGRO | ARANDELA BUJE ALMENADA           | Ø 86 X Ø 120 X 2 MM          |
| 11     | 1906050.0  | MONTENEGRO | SENSOR ABS 0,4 MM                |                              |
| 12     | 1920187.0  | MONTENEGRO | CORONA ABS 100 DIENTES           | Ø 187 X Ø 207 X 15 MM        |
| 13     | 2420118.0  | MONTENEGRO | PERNO RUEDA SENCILLA DOBLE ROSCA | L = 118 MM (M22*150/M22*150) |
| 14     | 2420090.0  | MONTENEGRO | PERNO RUEDA SENCILLA CON CABEZA  | L = 90 MM M22*150            |
| 15     | 2522150.5  | MONTENEGRO | TUERCA INTERIOR PERNO DE RUEDA   | M22*150                      |
| 16     | 2522150.1  | MONTENEGRO | TUERCA VOLANDERA PERNO RUEDA     | M22*150                      |



| Figura | Refº ADR98 | Aplicación | Descripción                      | Medidas                     |
|--------|------------|------------|----------------------------------|-----------------------------|
| 1      | 2220007.3  | MONTENEGRO | BUJE RUEDA DOBLE CON CANAL       |                             |
| 1A     | 2220007.4  | MONTENEGRO | BUJE RUEDA DOBLE SIN CANAL       |                             |
| 2      | 2620057.1  | MONTENEGRO | TAPACUBOS ALUMINIO 4 GARRAS      | Ø 145 X 160 X 70 MM         |
| 3      | 2610029.0  | MONTENEGRO | JUNTA TORICA TAPACUBOS           | Ø 140 X 5 MM                |
| 4      | 2610058.0  | MONTENEGRO | TAPON GOMA TAPACUBOS             | Ø 30 X 24 MM                |
| 5      | 3210000.1  | MONTENEGRO | RODAMIENTO BUJE                  | Ø 88 X Ø 143 X 42 MM        |
| 6      | 2820047.1  | MONTENEGRO | PORTA-RETEN SENCILLO             | Ø 100 X Ø 152 X 24 MM       |
| 7      | 2820047.2  | MONTENEGRO | PORTA-RETEN DOBLE                | Ø 100 X Ø 152 X 41 MM       |
| 8      | 2820001.2  | MONTENEGRO | RETEN BUJE                       | Ø 152,4 X Ø 177,8 X 12,7 MM |
| 9      | 3020002.0  | MONTENEGRO | TUERCA BUJE OCTOGONAL            | M85                         |
| 10     | 3020004.1  | MONTENEGRO | ARANDELA BUJE C/TALADROS         | Ø 88 X Ø 120 X 3 MM         |
| 11     | 1906050.0  | MONTENEGRO | SENSOR ABS 0,4 MM                |                             |
| 12     | 1920187.0  | MONTENEGRO | CORONA ABS 100 DIENTES           | Ø 187 X Ø 207 X 15 MM       |
| 13     | 2420126.0  | MONTENEGRO | PERNO RUEDA SENCILLA DOBLE ROSCA | L= 126 MM (M22*150/M22*150) |
| 14     | 2420100.0  | MONTENEGRO | PERNO RUEDA SENCILLA CON CABEZA  | L= 100 MM M22*150           |
| 15     | 2522150.5  | MONTENEGRO | TUERCA INTERIOR PERNO DE RUEDA   | M22*150                     |
| 16     | 2522150.1  | MONTENEGRO | TUERCA VOLANDERA PERNO RUEDA     | M22*150                     |



| Figura | Refº ADR98 | Aplicación | Descripción                      | Medidas                      |
|--------|------------|------------|----------------------------------|------------------------------|
| 1      | 2220007.5  | MONTENEGRO | BUJE RUEDA DOBLE 15"             |                              |
| 2      | 2620057.1  | MONTENEGRO | TAPACUBOS ALUMINIO 4 GARRAS      | Ø 145 X 160 X 70 MM          |
| 3      | 2610029.0  | MONTENEGRO | JUNTA TORICA TAPACUBOS           | Ø 140 X 5 MM                 |
| 4      | 2610058.0  | MONTENEGRO | TAPON GOMA TAPACUBOS             | Ø 30 X 24 MM                 |
| 5      | 3214085.1  | MONTENEGRO | RODAMIENTO BUJE                  | Ø 85 X Ø 150 X 38,5 MM       |
| 6      | 2820047.5  | MONTENEGRO | PORTA-RETEN SENCILLO             | Ø 85 X Ø 140 X 23 MM         |
| 7      | 2820002.0  | MONTENEGRO | RETEN BUJE                       | Ø 140 X 160 X 12             |
| 8      | 3020001.0  | MONTENEGRO | TUERCA BUJE TIPO NK              | M82                          |
| 9      | 3020004.2  | MONTENEGRO | ARANDELA BUJE ALMENADA           | Ø 86 X Ø 120 X 2 MM          |
| 10     | 1906050.0  | MONTENEGRO | SENSOR ABS 0,4 MM                |                              |
| 11     | 1920187.0  | MONTENEGRO | CORONA ABS 100 DIENTES           | Ø 187 X Ø 207 X 15 MM        |
| 12     | 2420126.0  | MONTENEGRO | PERNO RUEDA SENCILLA DOBLE ROSCA | L = 126 MM (M22*150/M22*150) |
| 13     | 2420100.0  | MONTENEGRO | PERNO RUEDA SENCILLA CON CABEZA  | L = 100 MM M22*150           |
| 14     | 2522150.5  | MONTENEGRO | TUERCA INTERIOR PERNO DE RUEDA   | M22*150                      |
| 15     | 2522150.1  | MONTENEGRO | TUERCA VOLANDERA PERNO RUEDA     | M22*150                      |



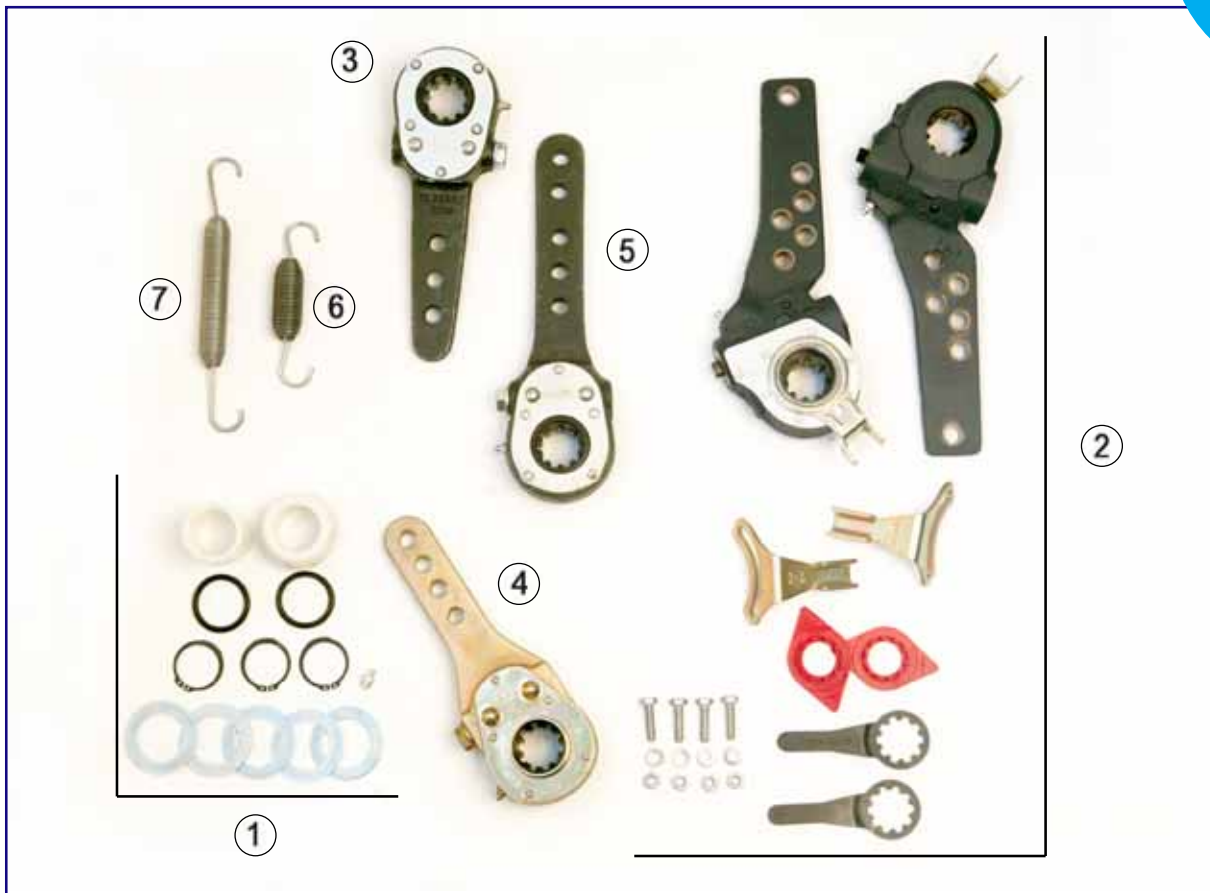
| Figura | Refª ADR98 | Aplicación | Descripción                     | Medidas                       |
|--------|------------|------------|---------------------------------|-------------------------------|
| 1      | 2020178.1  | MONTENEGRO | TAMBOR FRENO 20" 420 X 178 6T.  | 240 / 292 / 231 / 6T. X Ø 23  |
| 1      | 2020178.3  | MONTENEGRO | TAMBOR FRENO 20" 420 X 178 10T. | 240 / 335 / 231 / 10T. X Ø 23 |
| 1      | 2020178.5  | MONTENEGRO | TAMBOR FRENO 20" 420 X 178 10T. | 290 / 335 / 231 / 10T. X Ø 23 |
| 2      | 2020203.5  | MONTENEGRO | TAMBOR FRENO 20" 420 X 203 10T. | 290 / 335 / 255 / 10T. X Ø 23 |
| 3      | 2020203.1  | MONTENEGRO | TAMBOR FRENO 15" 310 X 203 10T. | 180 / 225 / 253 / 10T. X Ø 23 |



| Figura | Ref ADR98 | Aplicación | Descripción                            | Medidas                         |
|--------|-----------|------------|--|---------------------------------|
| 1      | 3520203.1 | MONTENEGRO | MORDAZA FRENO 420 X 203 MM CON RODILLO | 420 X 203 MM                    |
| 2      | 3520178.1 | MONTENEGRO | MORDAZA FRENO 420 X 178 MM CON RODILLO | 420 X 178 MM                    |
| 3      | 3520200.3 | MONTENEGRO | MORDAZA FRENO 310 X 203 MM SIN RODILLO | 310 X 203 MM                    |
| 4      | 2120203.1 | MONTENEGRO | CJTO. FORRO FRENO 419 X 203 MM         | 203 X 212                       |
| 4A     | 2120178.1 | MONTENEGRO | CJTO. FORRO FRENO 419 X 178 MM         | 178 X 212                       |
| 4A     | 2120200.1 | MONTENEGRO | CJTO. FORRO FRENO 310 X 200 MM         | 200 X 170                       |
| 5      | 3836016.2 | MONTENEGRO | REMACHE SEMI-TUBULAR ACERO LATONADO    | Ø 6 X 16 ( Bolsa de 1000 Unds.) |
| 6      | 4410210.0 | MONTENEGRO | MUELLE RECUPERACION ZAPATA             | Ø 210 X 30 MM                   |
| 7      | 4420160.0 | MONTENEGRO | MUELLE ZAPATA GONDOLA 15"              | Ø 160 X 28 MM                   |
| 8      | 4420180.0 | MONTENEGRO | MUELLE RECTO ZAPATA                    | Ø 180 X 23 MM                   |
| 9      | 4110049.1 | MONTENEGRO | RODILLO ZAPATA Ø 32 MM                 | Ø 32 X 34 X 58 MM               |
| 10     | 4110049.3 | MONTENEGRO | RODILLO ZAPATA Ø 37 MM SOBRE MEDIDA    | Ø 37 X 34 X 58 MM               |
| 11     | 4110049.2 | MONTENEGRO | RODILLO ZAPATA Ø 25 MM BAJO MEDIDA     | Ø 25 X 34 X 58 MM               |
| 12     | 4110047.1 | MONTENEGRO | RETEN DE RODILLO                       | 20 - 52 - 36                    |
| 13     | 4410049.0 | MONTENEGRO | PASADOR MUELLE TIPO " w "              | 6 X 70 MM                       |
| 14     | 4020008.1 | MONTENEGRO | BULON PLATO ANCLAJE ZAPATA             | Ø 30 X 55 MM                    |



| Figura | Refª ADR98 | Aplicación | Descripción            | Medidas   |
|--------|------------|------------|------------------------|-----------|
| 1      | 4220460.1  | MONTENEGRO | EJE LEVA IZQUIERDO 20" | L= 460 MM |
| 1A     | 4220460.2  | MONTENEGRO | EJE LEVA DERECHO 20"   | L= 460 MM |
| 2      | 4220535.1  | MONTENEGRO | EJE LEVA IZQUIERDO 20" | L= 535 MM |
| 2A     | 4220535.2  | MONTENEGRO | EJE LEVA DERECHO 20"   | L= 535 MM |
| 3      | 4220600.1  | MONTENEGRO | EJE LEVA IZQUIERDO 20" | L= 600 MM |
| 3A     | 4220600.2  | MONTENEGRO | EJE LEVA DERECHO 20"   | L= 600 MM |
| 4      | 4220560.1  | MONTENEGRO | EJE LEVA IZQUIERDO 15" | L= 560 MM |
| 4A     | 4220560.2  | MONTENEGRO | EJE LEVA DERECHO 15"   | L= 560 MM |
| 5      | 4220615.1  | MONTENEGRO | EJE LEVA IZQUIERDO 15" | L= 615 MM |
| 5A     | 4220615.2  | MONTENEGRO | EJE LEVA DERECHO 15"   | L= 615 MM |



| Figura | Refº ADR98 | Aplicación | Descripción                         | Medidas              |
|--------|------------|------------|-------------------------------------|----------------------|
| 1      | 4220000.1  | MONTENEGRO | KIT REP. 1 LEVA FRENO CASO.PLASTICO |                      |
| 1A     | 4220000.2  | MONTENEGRO | KIT REP. 1 LEVA FRENO CASO.BRONCE   |                      |
| 2      | 4614310.1  | MONTENEGRO | KIT PALANCAS AUTOMÁTICAS ADR98      |                      |
| 3      | 4614010.0  | MONTENEGRO | PALANCA FRENO MANUAL ADR98 S/CUELLO | L= 220 MM 10 ESTRIAS |
| 4      | 4614010.1  | MONTENEGRO | PALANCA FRENO MANUAL ADR98 C/CUELLO | L= 220 MM 10 ESTRIAS |
| 5      | 4614010.2  | MONTENEGRO | PALANCA FRENO MANUAL ADR98 S/CUELLO | L= 305 MM 10 ESTRIAS |
| 6      | 4606603.0  | MONTENEGRO | MUELLE RECUPERACION PALANCA FRENO   | 148 X 26 X 3 MM      |
| 7      | 4606602.0  | MONTENEGRO | MUELLE RECUPERACION PALANCA FRENO   | 245 X 26 X 3 MM      |



| Figura | Refª ADR98 | Aplicación | Descripción                            | Medidas                     |
|--------|------------|------------|--|-----------------------------|
| 1      | 5010001.1  | MONTENEGRO | DIAPRES SUSPENSION COMPLETO B.ALUMINIO | Ø 257 MM X 650 / 236 A.T.   |
| 2      | 5020754.8  | MONTENEGRO | DIAPRES SUSPENSION COMPLETO B.METAL    | Ø 257 MM X 650 / 236 A.T.   |
| 3      | 5020073.6  | MONTENEGRO | DIAPRES SEMI-COMPLETO                  | Ø 257 MM X 650 / 236 A.T.   |
| 4      | 5020688.7  | MONTENEGRO | DIAPRES EJE ELEVADOR DOBLE CUERPO      | Ø 160 X 77 A.T.             |
| 5      | 5520030.1  | MONTENEGRO | SILENTBLOK BALLESTON S.N. BLINDADO     | Ø 30 X Ø 65 X 102           |
| 6      | 5706832.1  | MONTENEGRO | BULON BALLESTON C/TUERCA               | Ø 30 X 210 MM               |
| 7      | 5720821.4  | MONTENEGRO | BULON AMORTIGUADOR                     | Ø 22 X 140 MM               |
| 8      | 5720821.5  | MONTENEGRO | BULON AMORTIGUADOR                     | Ø 22 X 150 MM               |
| 9      | 5720821.6  | MONTENEGRO | BULON AMORTIGUADOR                     | Ø 22 X 160 MM               |
| 10     | 5220525.0  | MONTENEGRO | AMORTIGUADOR OJO / ESPARRAGO           | Ø 22 X 55 A.T. 525 - 352 MM |
| 11     | 5220525.2  | MONTENEGRO | AMORTIGUADRO OJO / OJO                 | Ø 22 X 55 A.T. 525 - 352 MM |





| Figura | Refº ADR98 | Aplicación | Descripción                        | Medidas              |
|--------|------------|------------|------------------------------------|----------------------|
| 1      | 5620005.1  | MONTENEGRO | BALANCIN SUSPENSION SIN SILENTBLOK | 96 - 127 - 365 MM    |
| 2      | 5620005.5  | MONTENEGRO | BALANCIN BALLESTA 100 MM REFORZADO | 106 - 127 - 365 MM   |
| 3      | 5520058.5  | MONTENEGRO | CASQUILLO BALANCIN NYLON           | Ø 58 X Ø 87 X 100 MM |
| 4      | 5520058.1  | MONTENEGRO | SILENTBLOK BALANCIN GOMA / NYLON   | Ø 58 X Ø 87 X 100 MM |
| 5      | 5620008.3  | MONTENEGRO | BULON BALANCIN ( MACIZO )          | Ø 58 X 210 MM        |
| 5A     | 5620008.1  | MONTENEGRO | BULON BALANCIN ( HUECO )           | Ø 58 X 210 MM        |



| Figura | Ref ADR98 | Aplicación | Descripción                    | Medidas               |
|--------|-----------|------------|--------------------------------|-----------------------|
| 1      | 5720059.0 | MONTENEGRO | TIRANTE EXTENSIBLE             | HUSILLO L = 300 MM    |
| 2      | 5720059.2 | MONTENEGRO | TIRANTE EXTENSIBLE             | HUSILLO L = 350 MM    |
| 3      | 5720059.4 | MONTENEGRO | TIRANTE EXTENSIBLE             | HUSILLO L = 410 MM    |
| 4      | 5720059.5 | MONTENEGRO | TIRANTE FIJO                   | E / C - 515 MM        |
| 5      | 5720059.7 | MONTENEGRO | TIRANTE FIJO                   | E / C - 605 MM        |
| 6      | 5720009.1 | MONTENEGRO | CABEZA TIRANTE ROSCA IZQUIERDA | M-1" 1/4              |
| 7      | 5720009.2 | MONTENEGRO | CABEZA TIRANTE ROSCA DERECHA   | M-1" 1/4              |
| 8      | 5720028.1 | MONTENEGRO | HUSILLO ROSCADO                | L = 300 MM M - 1" 1/4 |
| 9      | 5720028.3 | MONTENEGRO | HUSILLO ROSCADO                | L = 350 MM M - 1" 1/4 |
| 10     | 5720028.5 | MONTENEGRO | HUSILLO ROSCADO                | L = 410 MM M - 1" 1/4 |
| 11     | 5520023.1 | MONTENEGRO | SILENTBLOK TIRANTE             | Ø 23 X Ø 49 X 78 MM   |
| 12     | 5720004.0 | MONTENEGRO | ARANDELA BULON TIRANTE         | Ø 23 X 44 X 5 MM      |
| 13     | 5720821.4 | MONTENEGRO | BULON TIRANTE C/TUERCA         | Ø 22 X 140 MM         |
| 14     | 5720821.5 | MONTENEGRO | BULON TIRANTE C/TUERCA         | Ø 22 X 150 MM         |
| 15     | 5720821.6 | MONTENEGRO | BULON TIRANTE C/TUERCA         | Ø 22 X 160 MM         |